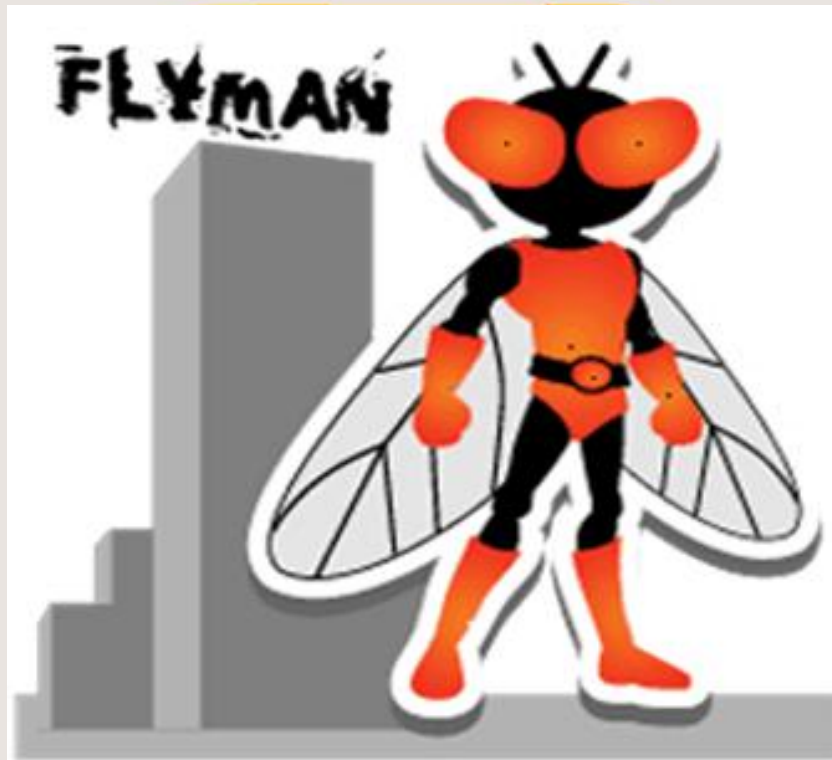


www.flyman.com.tr



PVC & ALUMINIUM
WINDOW AND DOOR ACCESSORIES

FLYMAN

INDEX

HANDLES.....	02-10
HINGES.....	11-14
TILT AND TURN SYSTEMS.....	15-23
MULTIPOINT DOOR LOCKS.....	24-29
TURN-ONLY ESPAGNOLETES.....	30-31
TILT AND SLIDE SYSTEMS.....	32-34
LOCKS AND CYLINDER LOCKS.....	35-41
STRIKER.....	42-43
MULLION CONNECTORS	44-47
LATCH AND DEADBOLT PLATES	48
TRANSOM GROUP	49
SLIDING ACCESSORIES	50-51
FLY SCREEN ACCESSORIES.....	52
SCREWS GROUP.....	53
INSULATING GLASS ACCESSORIES.....	54
OTHER ACCESSORIES.....	55
ALUMINIUM GROUP.....	56-57

HANDLES GROUP

MEGA SERIES HANDLE GROUP



AK024
Springed Door Handle
Axis : 85mm
Wide (35mm)



AK025
WC Springed Door Handle
Axis : 90mm
Wide (35mm)



AK041
Room Springed Door Handle
Axis : 92mm
Wide (35mm)



AK042
Balcony Springed Door Handle
Axis : 85mm
Wide (35mm)



AP010
Window Handle



HANDLES GROUP

■ BOSNA SERIES HANDLE GROUP



AK061
Springed Door Handle
Axis : 85mm
Wide (32mm)



AK062
WC Springed Door Handle
Axis : 90mm
Wide (32mm)



AP013
Window Handle



HANDLES GROUP

MESUT SERIES HANDLE GROUP



AK013
Springed Door Handle
Axis : 85mm
Wide (35mm)



AK014
WC Springed Door Handle
Axis : 90mm
Wide (35mm)



AK015
Room Springed Door Handle
Axis : 90mm
Wide (35mm)



AK039
Springed Door Handle
Axis : 92mm
Wide (35mm)



AK035
Balcony Springed Door Handle
Axis : 85mm
Wide (35mm)



HANDLES GROUP

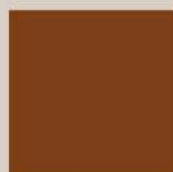
TECHNICAL SPECIFICATIONS

TYPE OF FACE	SCREW CENTER	SCREW HANDLE CENTER	HANDLE BARREL CENTER	FACE WIDTH	SCREW LENGTH	SCREW QUANTITY	IRON SIZE
SPRING ROLL	195	195	70	25	70	2	105
			85				
	210	85	92	28	80	2	115
ROOM	195	65	90	35	90	3	120
WC	195	65	90	35	90	3	130

COLOR HARMONY



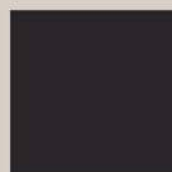
9016



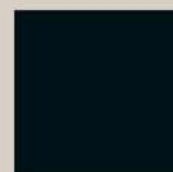
8003



8016



8019



9005

HANDLES GROUP

OUTWARD OPENING HANDLES



AA006
Lockable double side
outward opening handle
Set



AA008
Double side
outward opening handle
Set



AA004
Lockable outward opening
window handle
Single



AA005
Outward opening
window handle
Single



HANDLES GROUP

LOCK HANDLES



AP005
Window Handle with Lock
Set Lux



AP002
Window Handle with Lock
Set



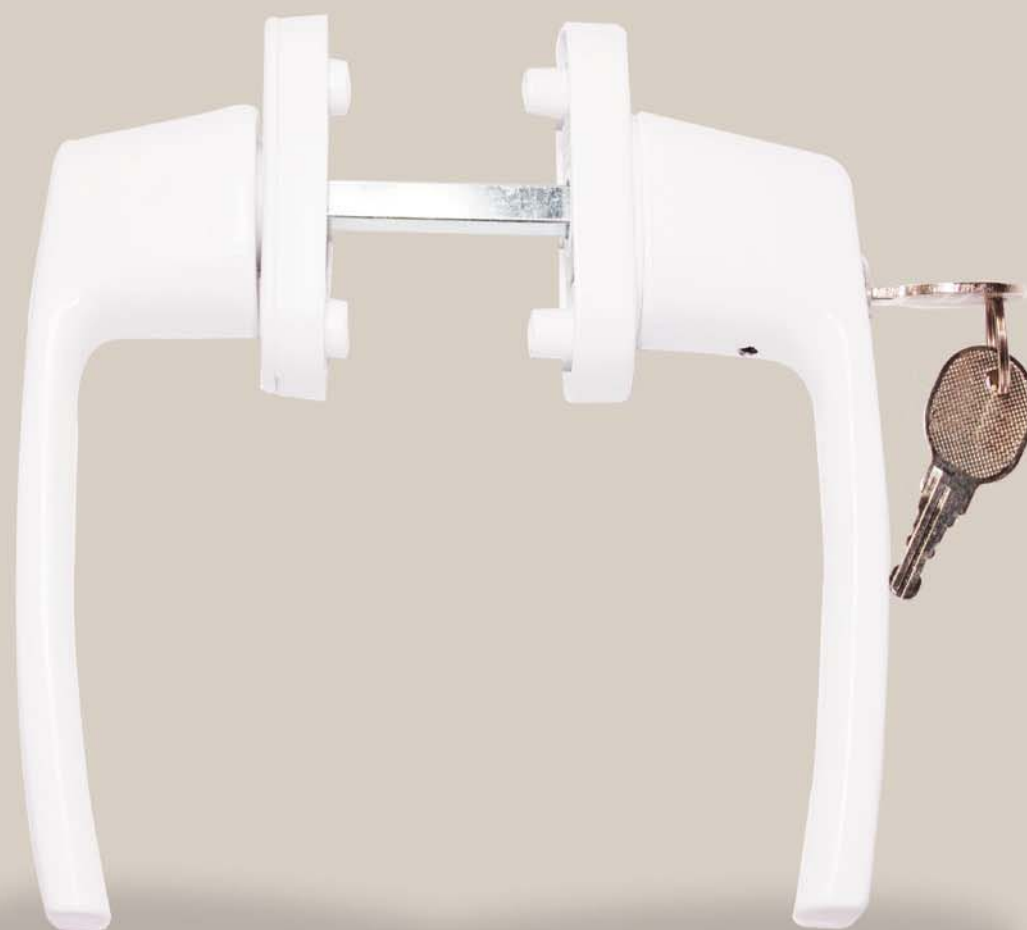
AP003
Window Handle
Set



AP001
Window Handle with Lock
Single



AP004
Window Handle with Lock
Single Lux



HANDLES GROUP

■ HANDLES FOR ALUMINIUM SYSTEMS



AA003
WINDOW HANDLE
FOR FIXED FACADES
DOUBLE FORK LEAF



AA009
CREMONE HANDLE
SINGLE FORK LEAF



HANDLES GROUP

ITALY SERIES DOOR & WINDOW HANDLES FOR ALUMINIUM SYSTEMS



AA002
SPRING LOADED
DOOR HANDLE
(Metal Base Cover)
(with/without rosette)
Set



AA001
SPRING LOADED
WINDOW HANDLE
(Metal Base Cover)
Single



HANDLES GROUP

PLASTIC HANDLES



PS.003
Plastic Window Handle
Steel



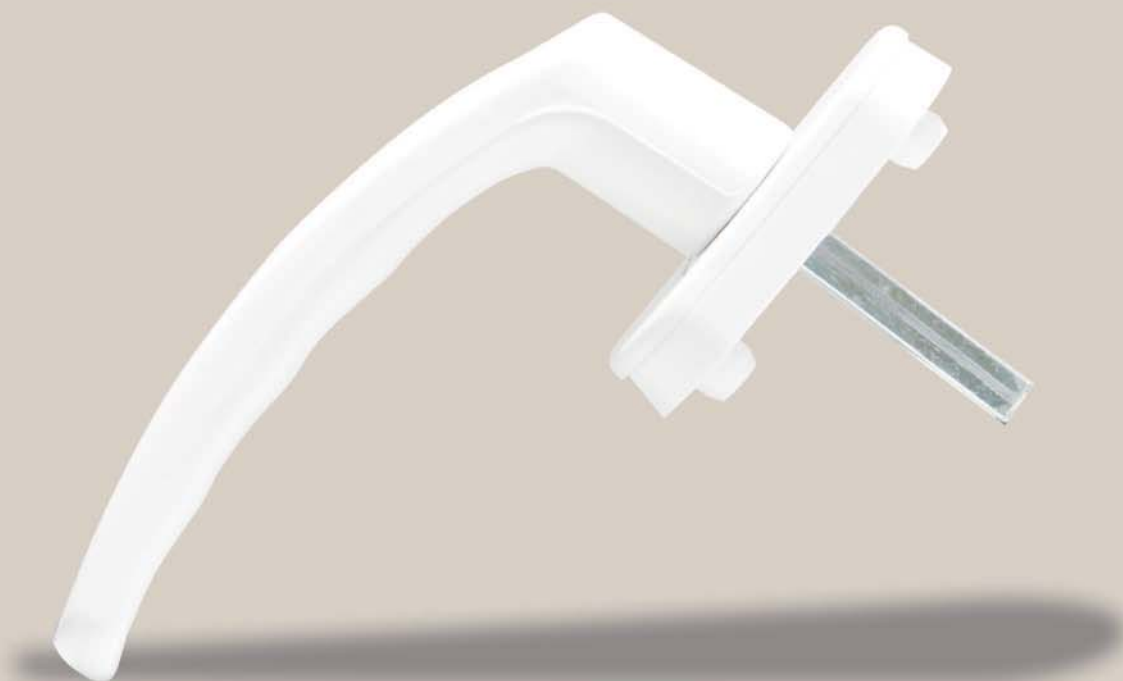
PS.004
Plastic Window Handle
Without Steel



PSD.003
Plastic Door Handle



PSD.004
Plastic WC Door Handle



■ DOOR AND WINDOW HINGES



ZM007
Zinc 3D Adjustable
Door Hinge



ZM018
Aluminium 3D Adjustable
Door Hinge



ZM007J (Junior)
Zinc 3D Adjustable
Door Hinge



HINGES GROUP

■ DOOR AND WINDOW HINGES



DOOR AND WINDOW HINGES



ZM009
Zinc Window Hinge 75mm



ZM010
Zinc Door Hinge 100mm



ZM016
Zinc Window Hinge 75mm
Economic



ZM017
Zinc Door Hinge 100mm
Economic



ZM003
Zinc Hinge 80mm



ZM004
Zinc Hinge 90mm



ZM014
Zinc Hinge 90mm Fratpen



ZM011 (Adopen Marmara)
Zinc Window Hinge 75mm



ZM012 (Adopen Marmara)
Zinc Door Hinge 90mm



ZM002 (Egepen Tırnaklı)
Zinc Window Hinge 75mm
with Claw



ZM013
Egepen Max/Adopen Altanfik
Zinc Window Hinge 75mm



ZM006
Zinc Door Hinge
Out Opening 95mm

HINGES GROUP

DOOR AND WINDOW HINGES



SM003
ALUMINIUM SPEEDY HINGE
90MM



SM001
ALUMINIUM SPEEDY HINGE
75MM



ALM002
ALUMINIUM DOOR HINGE
95MM



ALM001
ALUMINIUM WINDOW HINGE
75MM



TILT AND TURN SYSTEMS

■ TILT AND TURN SYSTEMS



HINGES GROUP

■ DOOR AND WINDOW HINGES

- 01 TT ESPAGNOLETTE / TT ESPAGNOLETTE (SECURITY)

- 02 TT SCISSORS / TT SCISSORS (SECURITY)

- 03 TT BACK LOCK

- 04 TT BACK LOCK (SECURITY)

- 05 TT CORNER PART (STANDART)

- 06 TT CORNER PART (SHORT CORNER)

- 07 TT CORNER PART (SECURITY)

- 08 TT CORNER PART (MICRO VENTILATION CORNER)

- 09 TT CORNER PART (TT MICRO VENTILATION STRIKER)

- 10 ESPAGNOLETTE BOTTOM LOCK PART

- 11 ESPAGNOLETTE BOTTOM AND TOP LOCK PART

- 12 TT BOTTOM LOCK PIVOT STRIKER 9/10/13/14 AXIS

- 13 TT FRAME BOTTOM HINGE

- 14 TT SASH BOTTOM HINGE

- 15 TT FRAME TOP HINGE

- 16 TT SCISSOR CONNECTOR HINGE 9/10/13/14 AXIS

- 17 TT PLASTIC COVER

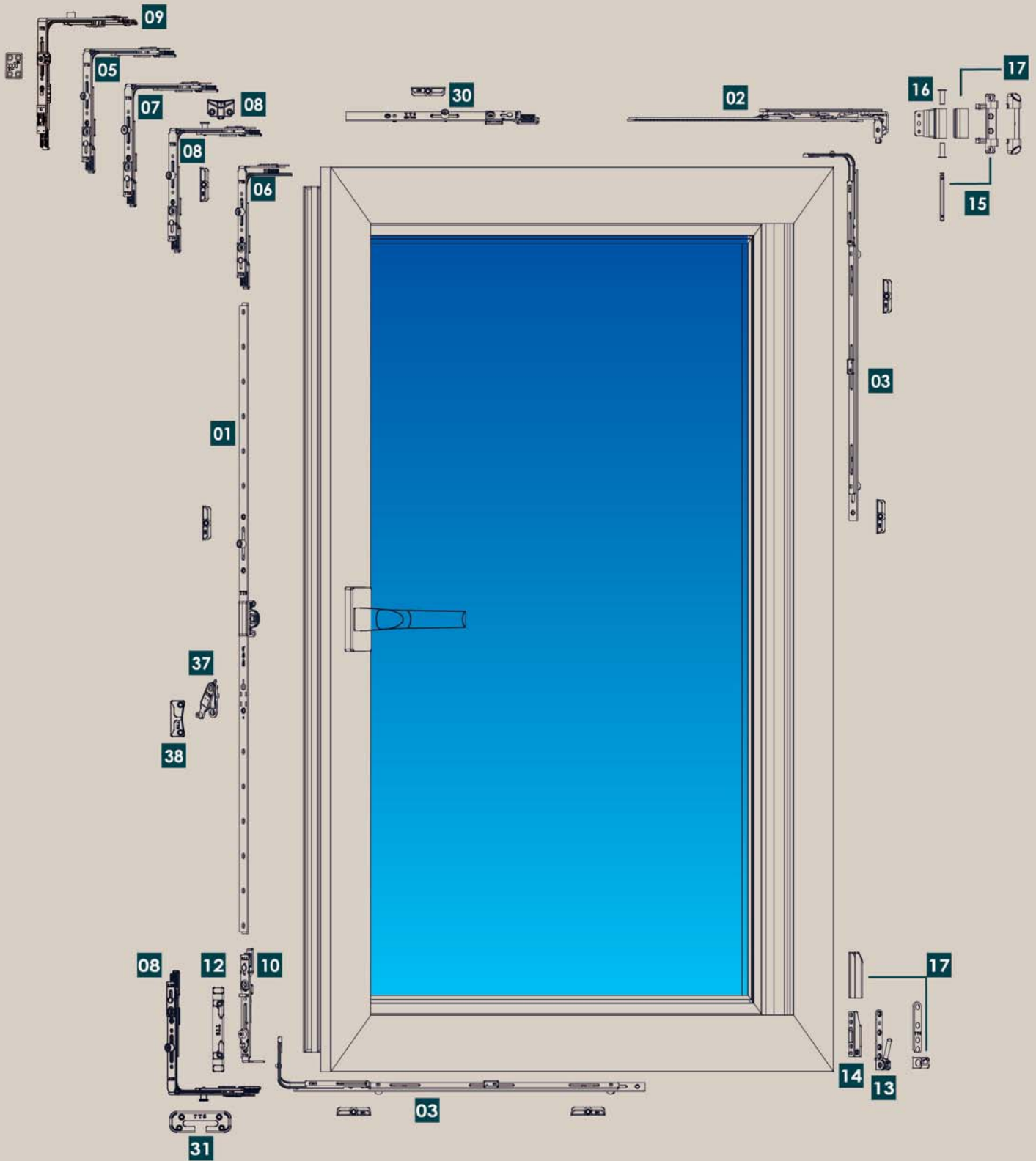
- 30 TT EXTENSION PART

- 31 TT SASH TILT STRIKER 9 / 13 AXIS

- 37 FAULT USAGE & SASH LIFT LOCK

- 38 FAULT USAGE & SASH LIFT LOCK STRIKER 9 / 13 AXIS

TILT AND TURN SYSTEMS



TILT AND TURN SYSTEMS

■ DOOR AND WINDOW HINGES

13 FRAME BOTTOM HINGE

15 FRAME TOP HINGE AND PIN

16 TT SCISSOR CONNECTOR HINGE 9 / 13 AXIS

17 TT PLASTIC COVER

18 CROWBAR GEAR ESPAGNPLETTES

19 CROWBAR GEAR BOTTOM SLIDE

20 CROWBAR GEAR TOP SLIDE

21 CROWBAR GEAR BOTTOM SLIDE WITH LEVER

22 CROWBAR GEAR TOP SLIDE WITH LEVER

23 CROWBAR GEAR STRIKER 9 / 13 AXIS

24 SCISSOR HINGE

25 MEDIUM HINGE (3 D) SET

26 MEDIUM HINGE (NOT REGULATED) METAL

27 PLASTIC COVER FOR BOTTOM CORNER HINGE

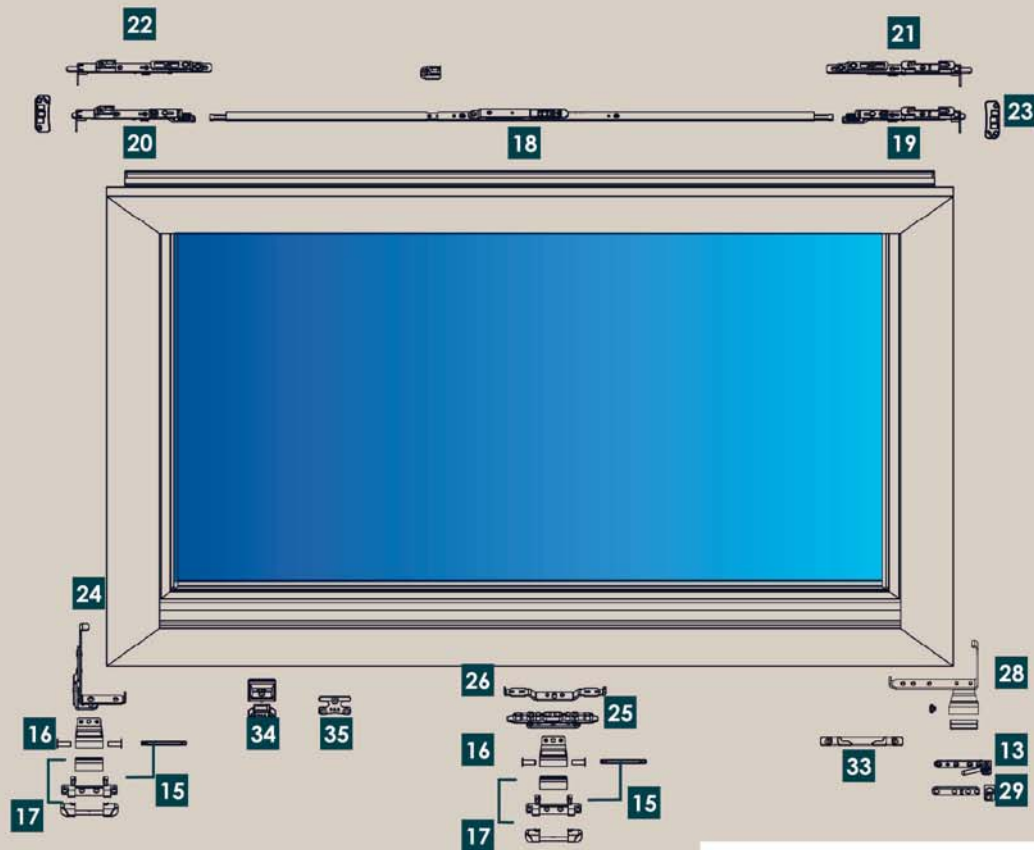
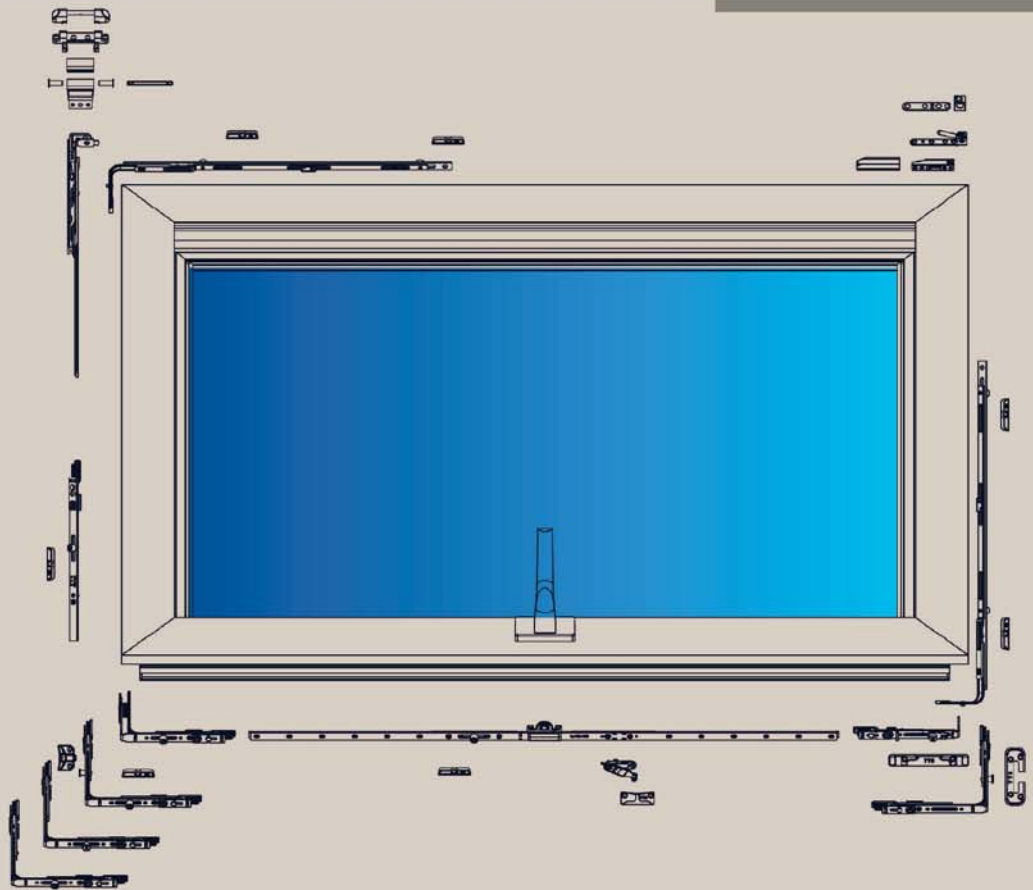
28 SASH BOTTOM CORNER HINGE

34 PLASTIC SASH PRESS HINGE

35 DOUBLE CLAW SECURITY STRIKER

33 DOUBLE CLAW PIVOT STRIKER

TILT AND TURN SYSTEMS



TILT AND TURN SYSTEMS

01



CODE	mm
ISP 100-13	500-700
ISP 100-14	700-1200
ISP 100-15	900-1400
ISP 100-16	1200-1700
ISP 100-17	1700-2200
ISP 100-18	1900-2400

TT ESPAGNOLETTE (30mm)

01



CODE	mm	mm	mm
ISP 100-1	ISP 100-7	500-700	0 20
ISP 100-2	ISP 100-8	700-1200	1 20
ISP 100-3	ISP 100-9	900-1400	1 20
ISP 100-4	ISP 100-10	1200-1700	2 20
ISP 100-5	ISP 100-11	1700-2200	2 20
ISP 100-6	ISP 100-12	1900-2400	2 20

TT ESPAGNOLETTE (SECURITY)

02



CODE	mm	mm	mm
MKS 110-00	350-600	0	20
MKS 110-01	400-650	0	20
MKS 110-02	650-900	0	20
MKS 110-03	900-1150	1	20

TT SCISSORS

02



CODE	mm	mm	mm
MKS 110-04	650-900	0	20
MKS 110-05	900-1150	1	20

TT SCISSORS (SECURITY)

03



CODE	mm	mm	mm
AK 120-01	280-600	1	20
AK 120-02	600-850	1	20
AK 120-03	850-1150	2	20
AK 120-04	1150-1400	2	20
AK 120-11	1300-1650	3	20
AK 120-05	1650-1900	3	20
AK 120-12	1900-2200	4	20

TT BACK LOCK

04



CODE	mm	mm	mm
AK 120-06	280-600	1	20
AK 120-07	600-850	1	20
AK 120-08	850-1150	2	20
AK 120-09	1150-1400	2	20
AK 120-13	1300-1650	3	20
AK 120-10	1650-1900	3	20
AK 120-14	1900-2200	4	20

TT BACK LOCK (SECURITY)

05



CODE	mm	mm	mm
KE 130-01	150-150	1	100

TT CORNER PART (STANDART)

06



CODE	mm	mm	mm
KE 130-02	50-150	1	100

TT CORNER PART (SHORT CORNER)

07



CODE	mm	mm	mm
KE 130-03	150-150	1	100

TT CORNER PART (SECURITY)

08



CODE	mm	mm	mm
KE 130-04	150-150	1	100
APK 150-03			100

TT CORNER PART (MICRO VENTILATION)

TILT AND TURN SYSTEMS

09

CODE	mm	kg	100
KE 130-05	150-150	1	100

TT CORNER PART (GRADUAL VENTILATION)

10

CODE	mm	kg	100
ALT 160-01	500-2400	1	100

ESPAÑOLETTE BOTTOM LOCK PART

11

CODE	0°	kg	100
ALT 160-02	180°	1	100
ALT 160-03	90°	1	100

ESPAÑOLETTE BOTTOM AND TOP LOCK PART

12

CODE		kg	100
APK 150-01	9 Axis	-	100
APK 150-09	10 Axis	-	100
APK 150-02	13 Axis	-	100
APK 150-10	14 Axis	-	100

TT BOTTOM LOCK PIVOT STRIKER

13

CODE	kg	100
MNT 140-07	100	100
MNT 140-08	130	100

TT FRAME BOTTOM HINGE

14

CODE	kg	100
MNT 140-05	100	100
MNT 140-06	130	100

TT SASH BOTTOM HINGE

15

CODE	kg	100
MNT 140-03		100
MNT 140-04	No Claws	100

TT FRAME TOP HINGE

16

CODE	kg	100
MNT 140-01	9 Axis	100
MNT 140-09	10 Axis	100
MNT 140-02	13 Axis	100
MNT 140-10	14 Axis	100

TT SCISSOR CONNECTOR HINGE

17

CODE	kg	100
PLK 170-01	White	100

TT PLASTIC COVER

18

CODE	mm	kg	100
LISP 180-01	500-700	0	10
LISP 180-02	700-1200	1	10
LISP 180-03	900-1400	1	10
LISP 180-04	1200-1700	2	10
LISP 180-05	1700-2200	2	10
LISP 180-06	1900-2400	2	10

TT EXTENSION PART

TILT AND TURN SYSTEMS



CODE	QTY	PRICE
LKS 190-01	1	100

CROWBAR GEAR BOTTOM SLIDE



CODE	QTY	PRICE
LKS 190-02	1	100

CROWBAR GEAR TOP SLIDE



CODE	QTY	PRICE
LKS 190-03	1	100

CROWBAR GEAR BOTTOM SLIDE WITH LEVER



CODE	QTY	PRICE
LKS 190-04	1	100

CROWBAR GEAR TOP SLIDE WITH LEVER



CODE	QTY	PRICE
LKK 200-01	9 Axis	100
LKK 200-02	13 Axis	100

CROWBAR GEAR STRIKER



CODE	QTY	PRICE
TUM 210-01		100

SCISSOR HINGE



CODE	QTY	PRICE
TOM 220-01		100

MEDIUM HINGE (3 D) SET



CODE	QTY	PRICE
TOM 220-02		100

MEDIUM HINGE (NOT REGULATED) METAL



CODE	QTY	PRICE
PLK 170-03		100

PLASTIC COVER FOR BOTTOM CORNER HINGE



CODE	QTY	PRICE
KMM 240-03	13 Axis Right	100
KMM 240-04	13 Axis Left	100
KMM 240-05	9 Axis Right	100
KMM 240-06	9 Axis Left	100

SASH BOTTOM CORNER HINGE (FOR EURO CHANNEL ALUMINIUM & PVC)

TILT AND TURN SYSTEMS



CODE	mm	kg	100
UP 250-01	250	1	
UP 250-02	450	1	

TT EXTENSION PART



CODE		kg	100
APK 150-04	9 Axis		
APK 150-05	13 Axis		

TT SASH TILT STRIKER



CODE		kg	100
APK 150-06	13 Axis		

TT SASH TILT STRIKER (ZINC)



CODE		kg	100
APK 150-07	13 Axis		
APK 150-11	9 Axis		

ALM. EURO CLAW PIVOT STRIKER



CODE		kg	100
KOB 230-01	9 Axis		
KOB 230-02	13 Axis		

PLASTIC SASH PRESS HINGE



CODE		kg	100
APK 150-08	13 Axis		

DOUBLE CLAW SECURITY STRIKER



CODE		kg	500
LKK 200-03			

Yaprak Karşılık



CODE		kg	100
HKE 260-01			

FAULT USAGE & SASH LIFT LOCK



CODE		kg	100
HKE 260-02	9 Axis		
HKE 260-03	13 Axis		

FAULT USAGE & SASH LIFT LOCK STRIKER



CODE		kg	100
ZK039	13 Axis		

SECURITY LOCK STRIKER

MULTIPOINT DOOR LOCKS

■ 35mm / 85mm axis



K1001 - K1005 - K1003
Multipoint Door Lock
Lengths: 160, 180, 200cm



K1002 - K1006 - K1004
Multipoint Door Lock With Cylinder
Lengths: 160, 180, 200cm



K1031 - K1032 - K1033
Multipoint Door Lock With Cylinder
With Key
Lengths: 160, 180, 200cm



AK022
Pinar 85 axis
Door Handle for Multipoint Door Lock
(With Key)

MULTIPOINT DOOR LOCKS

35mm / 85mm axis



KI007 - KI008 - KI009
Multipoint Door Lock With Deadbolt
Lengths: 160, 180, 200cm



KI013 - KI014 - KI015
Multipoint Door Lock With Deadbolt
Lengths: 160, 180, 200cm



KI010 - KI011 - KI012
WC Multipoint Door Lock With Cylinder
With Deadbolt
Lengths: 160, 180, 200cm



KI022 - KI023 - KI024
WC Multipoint Door Lock With Cylinder
Without Deadbolt
Lengths: 160, 180, 200cm

28mm / 85mm axis



KI025 - KI026 - KI027
Multipoint Door Lock With Deadbolt
Lengths: 160, 180, 200cm



KI016 - KI017 - KI018
Multipoint Door Lock With Deadbolt
Lengths: 160, 180, 200cm



KI028 - KI029 - KI030
WC Multipoint Door Lock With Cylinder
With Deadbolt
Lengths: 160, 180, 200cm



KI019 - KI020 - KI021
WC Multipoint Door Lock With Cylinder
Without Deadbolt
Lengths: 160, 180, 200cm

MULTIPOINT DOOR LOCKS

25mm / 85mm axis



KI043 - KI044 - KI045
Multipoint Door Lock With Deadbolt
Lengths:160, 180, 200cm



KI034 - KI035 - KI036
Multipoint Door Lock With Deadbolt
Lengths:160, 180, 200cm

25mm / 92mm axis



KI049 - KI050 - KI051
Multipoint Door Lock With Deadbolt
Lengths:160, 180, 200cm



KI040 - KI041 - KI042
Multipoint Door Lock With Deadbolt
Lengths:160, 180, 200cm

35mm / 92mm axis



KI046 - KI047 - KI048
Multipoint Door Lock With Deadbolt
Lengths:160, 180, 200cm



KI037 - KI038 - KI039
Multipoint Door Lock Without Deadbolt
Lengths:160, 180, 200cm

35mm / 92mm axis



KI059
Multipoint Door Lock
Cutttable / Without Deadbolt
Lengths: 170-220cm



KI060
Multipoint Door Lock
Cutttable / With Deadbolt
Lengths: 170-220cm

MULTIPOINT DOOR LOCKS

35mm / 85mm axis



KI053
KMultipoint Door Lock
Cuttable / Without Deadbolt
Lengths: 170-220cm



KI054
Multipoint Door Lock
Cuttable / With Deadbolt
Lengths: 170-220cm

28mm / 85mm axis



KI055
KMultipoint Door Lock
Cuttable / Without Deadbolt
Lengths: 170-220cm



KI056
Multipoint Door Lock
Cuttable / With Deadbolt
Lengths: 170-220cm

25mm / 85mm axis



KI057
KMultipoint Door Lock
Cuttable / Without Deadbolt
Lengths: 170-220cm



KI058
Multipoint Door Lock
Cuttable / With Deadbolt
Lengths: 170-220cm

25mm / 92mm axis



KI061
Multipoint Door Lock
Cuttable / Without Deadbolt
Lengths: 170-220cm



KI062
Multipoint Door Lock
Cuttable / With Deadbolt
Lengths: 170-220cm

MULTIPOINT DOOR LOCKS



35mm / 85mm axis

35mm / 85mm axis 28mm / 85mm axis



KI052
Multipoint Door Lock
Cutttable
Without Deadbolt
Lengths: 170-220cm



KIE001 KIE005 KIE003
Multipoint Door Lock With T-pin
Without Deadbolt
Lengths: 160,180, 200cm



KIE013 KIE014 KIE015
Multipoint Door Lock With T-pin
Without Deadbolt
Lengths: 160,180, 200cm



KIE016 KIE017 KIE018
Multipoint Door Lock With T-pin
Without Deadbolt
Lengths: 160,180, 200cm

MULTIPOINT DOOR LOCKS

DELUXE SERIES MULTIPOINT DOOR LOCKS

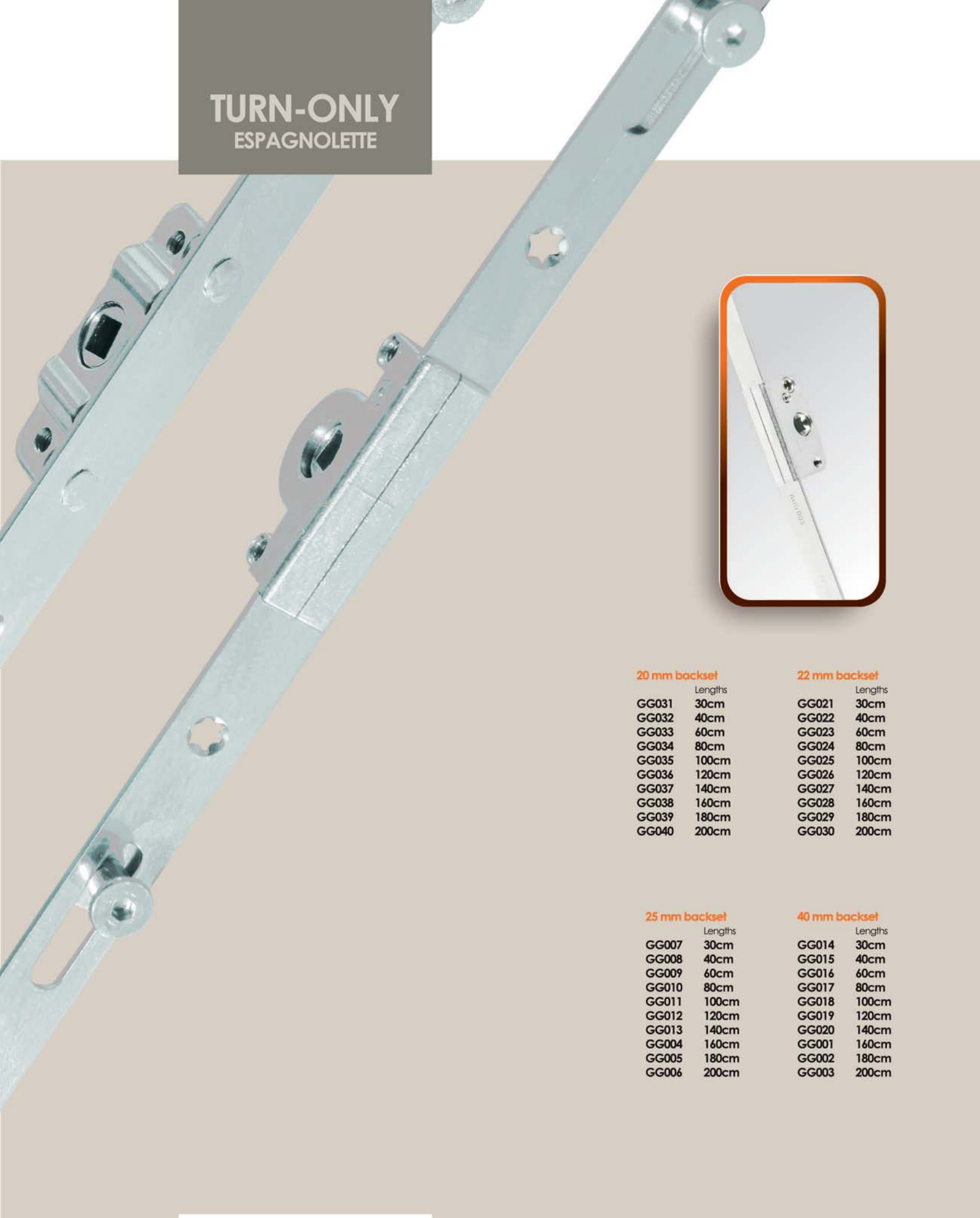
85 mm / 35mm

KI063 160cm (without deadbolt)
KI064 180cm (without deadbolt)
KI065 200cm (without deadbolt)
KI066 160cm (with deadbolt)
KI067 180cm (with deadbolt)
KI068 200cm (with deadbolt)

85 mm / 25mm

KI069 160cm (without deadbolt)
KI070 180cm (without deadbolt)
KI071 200cm (without deadbolt)
KI072 160cm (with deadbolt)
KI073 180cm (with deadbolt)
KI074 200cm (with deadbolt)

TURN-ONLY ESPAGNOLETTE



20 mm backset

	Lengths
GG031	30cm
GG032	40cm
GG033	60cm
GG034	80cm
GG035	100cm
GG036	120cm
GG037	140cm
GG038	160cm
GG039	180cm
GG040	200cm

22 mm backset

	Lengths
GG021	30cm
GG022	40cm
GG023	60cm
GG024	80cm
GG025	100cm
GG026	120cm
GG027	140cm
GG028	160cm
GG029	180cm
GG030	200cm

25 mm backset

	Lengths
GG007	30cm
GG008	40cm
GG009	60cm
GG010	80cm
GG011	100cm
GG012	120cm
GG013	140cm
GG004	160cm
GG005	180cm
GG006	200cm

40 mm backset

	Lengths
GG014	30cm
GG015	40cm
GG016	60cm
GG017	80cm
GG018	100cm
GG019	120cm
GG020	140cm
GG001	160cm
GG002	180cm
GG003	200cm

TURN-ONLY ESPAGNOLETTE

7,5mm



IG001 - IG009
Paunchy Espagnolettes
Lengths: 40, 60, 80, 100,
120, 140, 160, 180, 200 cm

15mm



IC001 - IC010
Espagnolettes
Lengths: 30, 40, 60, 80,
100, 120, 140, 160, 180, 200 cm

15mm



ICS001 - ICS010
Slide Espagnolettes
Lengths: 30, 40, 60, 80,
100, 120, 140, 160, 180, 200 cm

15mm



IEC001 - IEC010
Security Espagnolettes With T2-pin
Lengths: 30, 40, 60, 80,
100, 120, 140, 160, 180, 200 cm

25mm



GG007 - GG008 - GG009
GG010 - GG011 - GG012
GG013 - GG004 - GG005
GG006
Wide Body Espagnolettes

15mm



ID001 - ID010
Espagnolettes
Lengths: 30, 40, 60, 80,
100, 120, 140, 160, 180, 200 cm

15mm



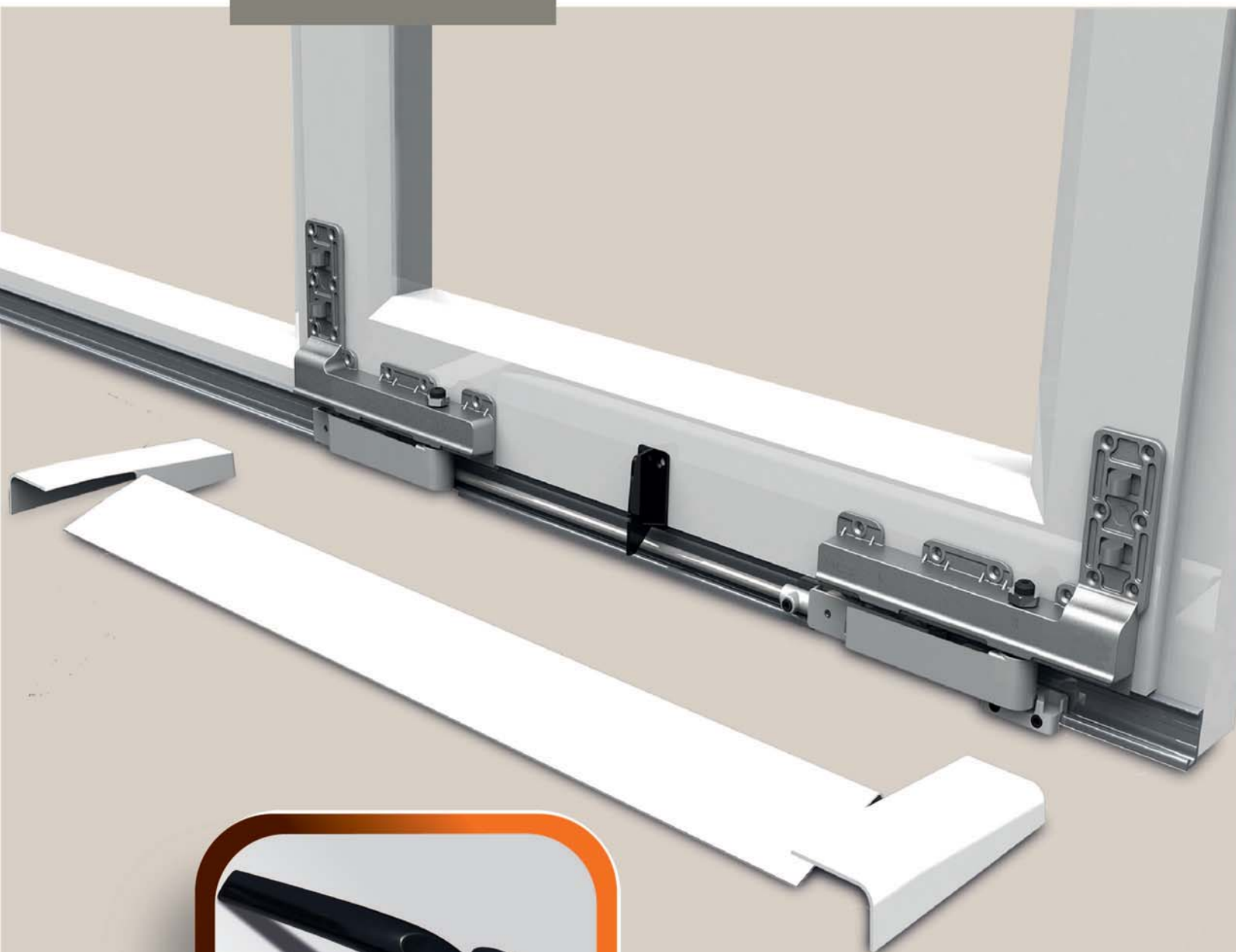
IDS001 - IDS010
Slide Espagnolettes
Lengths: 30, 40, 60, 80,
100, 120, 140, 160, 180, 200 cm

15mm



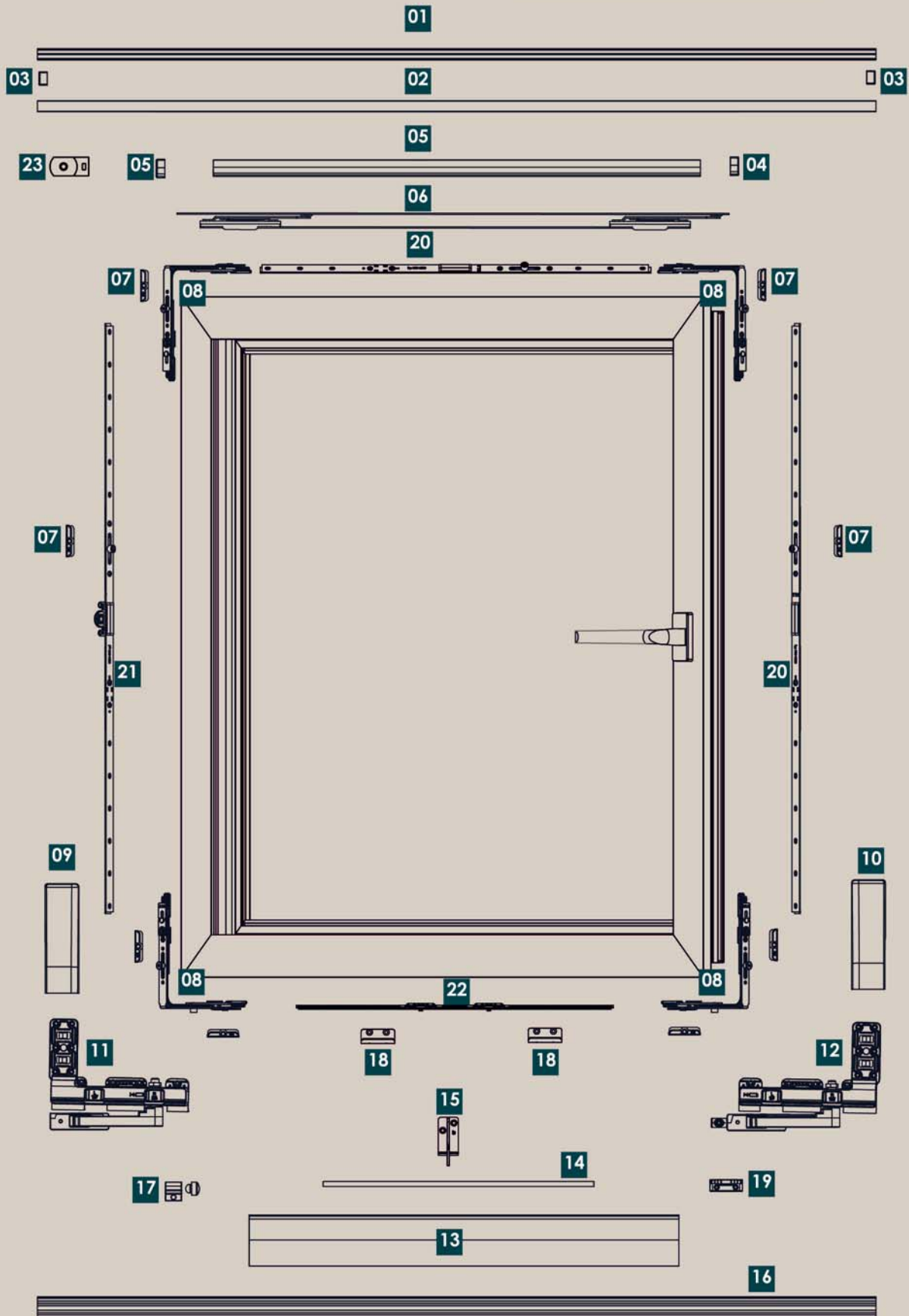
IED001 - IED010
Security Espagnolettes With T2-pin
Lengths: 30, 40, 60, 80,
100, 120, 140, 160, 180, 200 cm

TILT AND SLIDE SYSTEM



A014
TILT AND SLIDE SYSTEM HANDLE

TILT AND SLIDE SYSTEM



TILT AND SLIDE SYSTEM



LENGTHS:
2000mm
2630mm
3430mm

TSS01
Top Rail



TSS02
Top Rail Cover



TSS03
Top Rail Side Covers



TSS04
Sash Connection Profile Cover



TSS05
Sash Connection Profile



TSS06
Stay Arm



TSS07
Locking Striker



TSS08
Corner Transmission



TSS09 Roller Cover (R)
Tilt & Slide Brakeless



TSS10 Roller Cover (L)
Tilt & Slide Brakeless



TSS11
Tilt & Slide Brakeless Roller



TSS12
Tilt & Slide Roller



TSS13
Aluminium Rail Cover



TSS14
Connection Rod



TSS15
Aluminium Cover Holder



TSS16
Bottom Rail



TSS17
Bottom Roller Stopper R/L



TSS18
Tilting Striker - 13/20 - 9/20



TSS19
Tilting Controller Device



TSS20
Tilt & Slide Gear



TSS21
Tilt & Turn Gear



TSS22
Tilt & Slide Bottom Tilting Gear



TSS23
Top Stopper R/L



TSS24
Bottom And Top Assembly Jig



A014
Tilt & Slide Handle

■ MINI LOCK SET



■ 25mm / 70mm axis

■ 30mm / 70mm axis



MINI 004
Mini Lock Set with Handle Springed Handle



MINI 001-3-5
Mini Lock Set with Springed Handle

LOCK
GROUP



LOCK GROUP

35mm / 85mm axis

35mm / 90mm axis

35mm / 85mm axis



KIL001
Cylindrical Mortise Lock



KIL002
WC Mortise Lock



KIL003
Room Mortise Lock

28mm / 85mm axis

28mm / 90mm axis

28mm / 85mm axis



KIL004
Cylindrical Mortise Lock



KIL005
WC Mortise Lock



KIL006
Room Mortise Lock

LOCK GROUP

20mm / 85mm axis

20mm / 90mm axis

25mm / 85mm axis

25mm / 90mm axis



KIL007
Cylindrical Mortise Lock



KIL015
WC Mortise Lock



KIL008
Cylindrical Mortise Lock



KIL016
WC Mortise Lock

20mm / 85mm axis

25mm / 85mm axis

25mm / 85mm axis

25mm / 90mm axis



KIL009
Roller Latch Mortise Lock



KIL010
Roller Latch Mortise Lock



KIL017
Cylindrical Mortise Lock
Iron Sheet Body



KIL018
WC Kapı Kiliti
Iron Sheet Body

LOCK GROUP

20mm / 85mm axis



KIL019
Cylindrical Mortise Lock
Iron Sheet Body



KIL021
Roller Latch Mortise Lock
Iron Sheet Body

25mm / 85mm axis



KIL020
Cylindrical Mortise Lock
Iron Sheet Body



KIL022
Roller Latch Mortise Lock
Iron Sheet Body

30mm / 85mm axis



KIL023
Cylindrical Mortise Lock
Iron Sheet Body



KIL025
Roller Latch Mortise Lock
Iron Sheet Body

35mm / 85mm axis

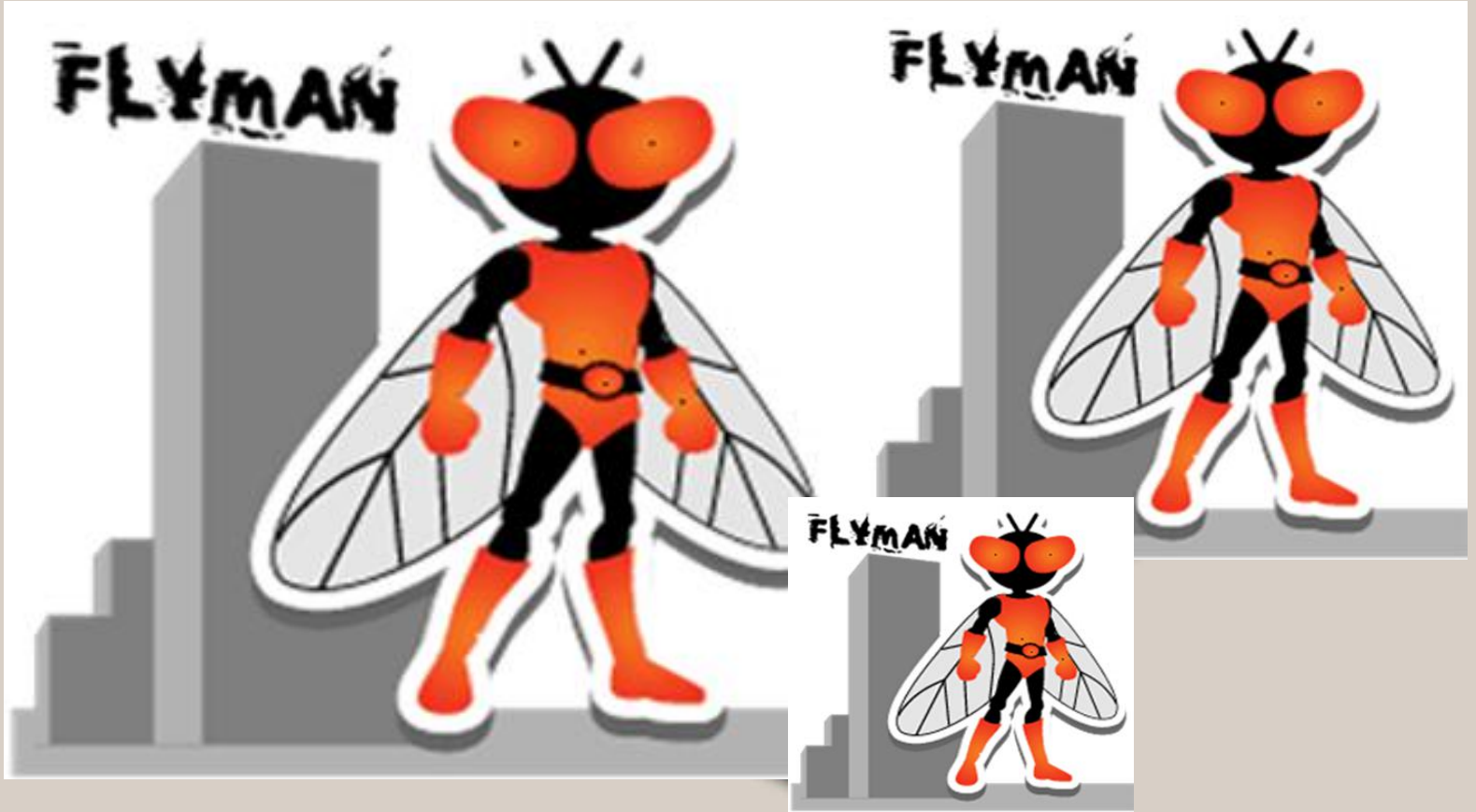


KIL024
Cylindrical Mortise Lock
Iron Sheet Body



KIL026
Roller Latch Mortise Lock
Iron Sheet Body

LOCK GROUP



20mm / 85mm axis

25mm / 85mm axis



KIL011
Cylindrical Mortise Lock



KIL013
Roller Latch Mortise Lock

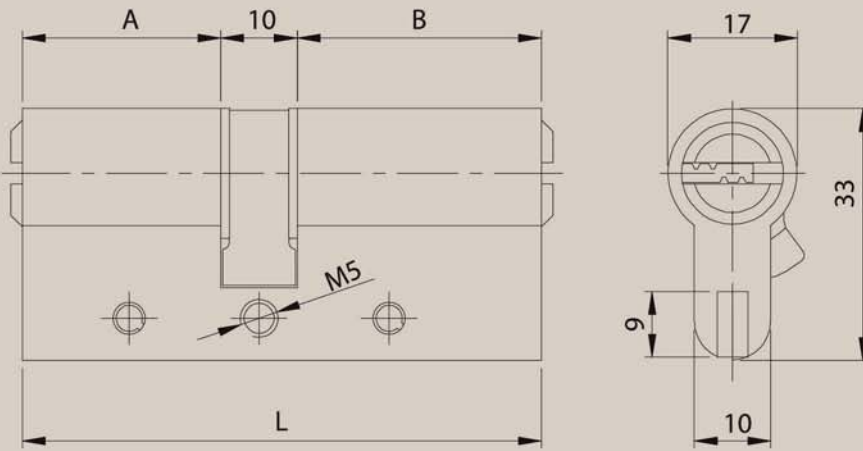


KIL012
Cylindrical Mortise Lock



KIL014
Roller Latch Mortise Lock

Cylinder Locks



L (mm)	68	83	90	90	90	104	104
A (mm)	26	35	35	38	40	42	37
B (mm)	32	38	45	42	40	52	57



B006
104mm (Zinc Chrome)



B002
90mm (Zinc Chrome)



B001
83mm (Zinc Chrome)



B005
68mm (Zinc Chrome)

STRIKER GROUP



ZK001
Pakpen



ZK002
Firatpen Single



ZK002 EKO
Firatpen Single Eco



ZK003
Firatpen Double



ZK004
Pimaş 6000



ZK004 EKO
Pimaş 6000 Eco



ZK005
Pimaş 4500



ZK005 EKO
Pimaş 4500 Eco



ZK006
Asaş Pen Window Double



ZK007
Asaş Pen Window Single



ZK008
Asaşpen Door



ZK009
Asaş Pen Eco 5200



ZK010
Asaş Pen 6040



ZK011
Akapen Astra



ZK012
Akapen Vega Double

STRIKER GROUP



ZK013
Europen



ZK014
Everest



ZK015
Filpen



ZK016
Kompen Door



ZK018
BR Yıldız



ZK020
Pimaş 6000 Double Hole



ZK020 EKO
Pimaş 6000 Double Hole ECO



ZK021
Pimaş 4500 Double Hole



ZK021 EKO
Pimaş 4500 Double Hole ECO



ZK022
Alfapen Armada



ZK023
Çift Kanat Karş. ST34



ZK024
Plastline



ZK026
Kompen Termoline



ZK029
Aplas



ZK032
Egepen Max Zendow



ZK037
Pakpen Global



ZK040
Pakpen Global New



ZK041
Aluminium Profile Striker 13Axis



ZK042
Aluminium Profile Striker 9 Axis



SA013 (UNIVERSAL)
Metal sliding response of espag.



SA014
Zinc response for opening
of espag. (ADOPEN)



SA020
Metal sliding response
of espag. (UNIVERSAL)
Plastic



SA032
Metal sliding response
of espag. (UNIVERSAL)
With claw

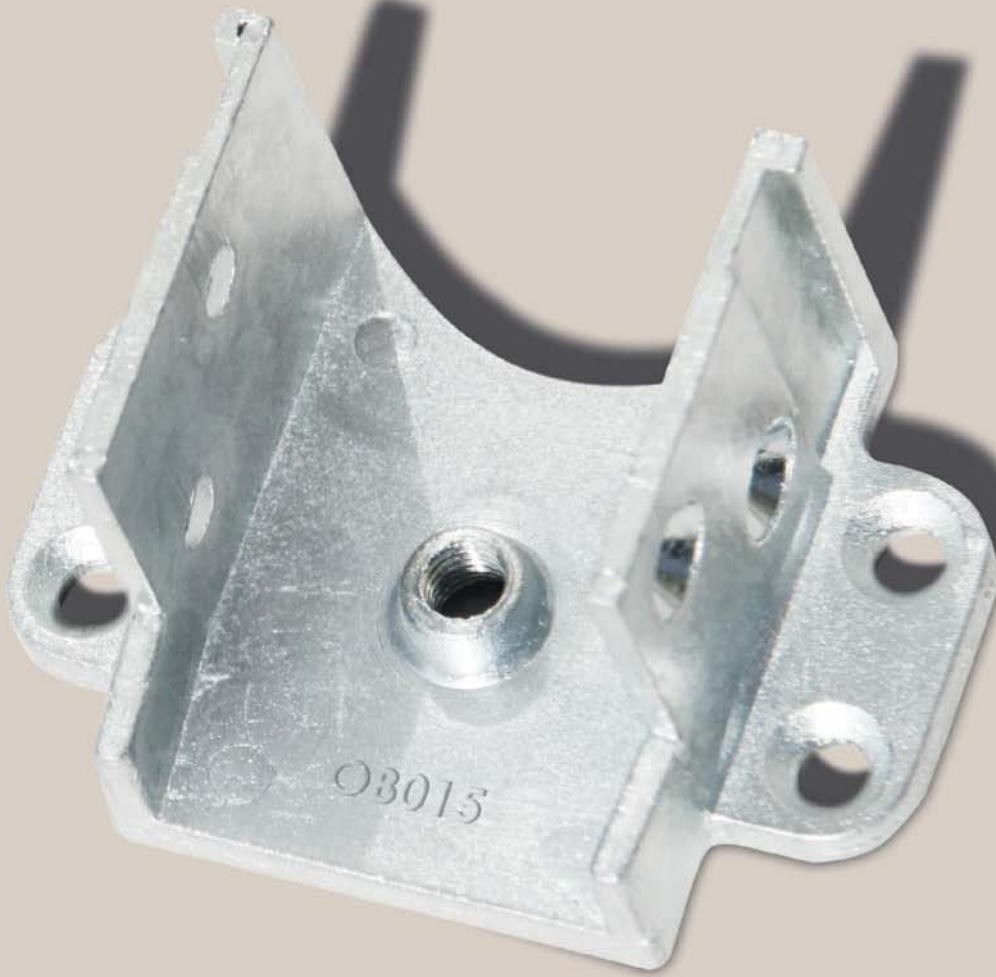


SA035
Zinc response for opening
of espag. (FIRATPEN) NEW



SA036
Zinc response for opening
of espag. (ALM. PROFILES)

MULLION CONNECTORS



OB117 34 mm
Steel mullion connectors



OB118 36 mm
Steel mullion connectors



OB120 38 mm
Steel mullion connectors



OB115
PAKPEN EKO 60



OB122
PAKPEN 60-70 INTEGRAL



OB001
Pimaş General



OB005
Teknoplast Startec



OB007
Taurus Best



OB009
Asaşpen 5200 Eco



OB010
Shönlne linex 60-70

MULLION CONNECTORS



OB013
Euroline



OB014
Fratpen 6060



OB015
Teraplast 6 Section



OB016
Kompen200 Superline



OB017
Windoline



OB020
Asaspen 6022



OB021
Erpen Smartline 62



OB022
Flashpen



OB023
Pentech



OB024
Taurus Silver



OB026
Worldpen



OB027
Schönline 6000



OB028
Plastline



OB029
Fratpen 7060



OB030
Vinka 6000



OB031
Erpen Extraline 54



OB032
Kompen 600 Termoline



OB033
Alfapen Armada



OB034
Saraypen Dar



OB035
Polipen 603 Dar



OB036
Polipen 603 Wide



OB037
Vvoplast



OB038
Pakpen Global Narrow



OB039
Pakpen Global Wide



OB040
Proline 6000

MULLION CONNECTORS



OB041
Tecnoplast Megatec



OB042
Keban Hazal



OB043
Erpen Sembol



OB044
Erpen Trend 62



OB045
Europen 7000



OB046
Tecnoplast Yeni Supertec



OB047
Saraypen Wide



OB051
Egepen Zendow



OB053
Enderpen Masterline



OB054
Enderpen Vizyonline



OB055
Erpen Combiline 72



OB056
Europen Elif



OB061
Natural 6000 Trova



OB065
Pensa Bonus



OB072
Forza 5200 Eco



OB075
Firatpen 7060 Eco



OB076
Egepen Max



OB077
Artwin



OB078
Winapex 6004



OB079
Uniplast 6000-7000



OB081
Uniplast Ecolim



OB082
Karpen



OB083
Pakpen Rival



OB085
WinTurk



OB086
Vivaplast Kulaksız

MULLION CONNECTORS



OB087
Aplas



OB088
Aplas 7000



OB089
Teraplast 4 Section



OB090
Pakpen İdeal



OB091
Firat 7000 Eco New



OB092
Propen 6000



OB093
Pakpen Royal



OB094
Erpen Trend Eco



OB095
Eurofasad



OB096
Europen 7000 Eco



OB097
Worldpen 6000 Eco



OB098
Pentech Eco



OB099
Alfapen Armada Eco



OB100
Erpen Smartline Eco



OB101
Propen 7000



OB102
Eurotech Eco Narrow



OB103
Enderpen Clascompact



OB104
Pakpen Optimal



OB105
Slide Flyscreen



OB106
Teraplast 7 Section



OB107
New Firat 6070



OB109
Firat S75 / Garnet 70



OB111
Firat Selenit



OB111 EKO
FIRAT S 75 SELENİT (TIRNAKSIZ)



OB112
Asaşpen 6040

LOCKING PLATES



KK001
Locking Plate
Universal Adjustable
Long / Zinc



KK002
Locking Plate
Universal Adjustable
Short / Zinc



KK010
Locking Plate
Long
Iron Sheet



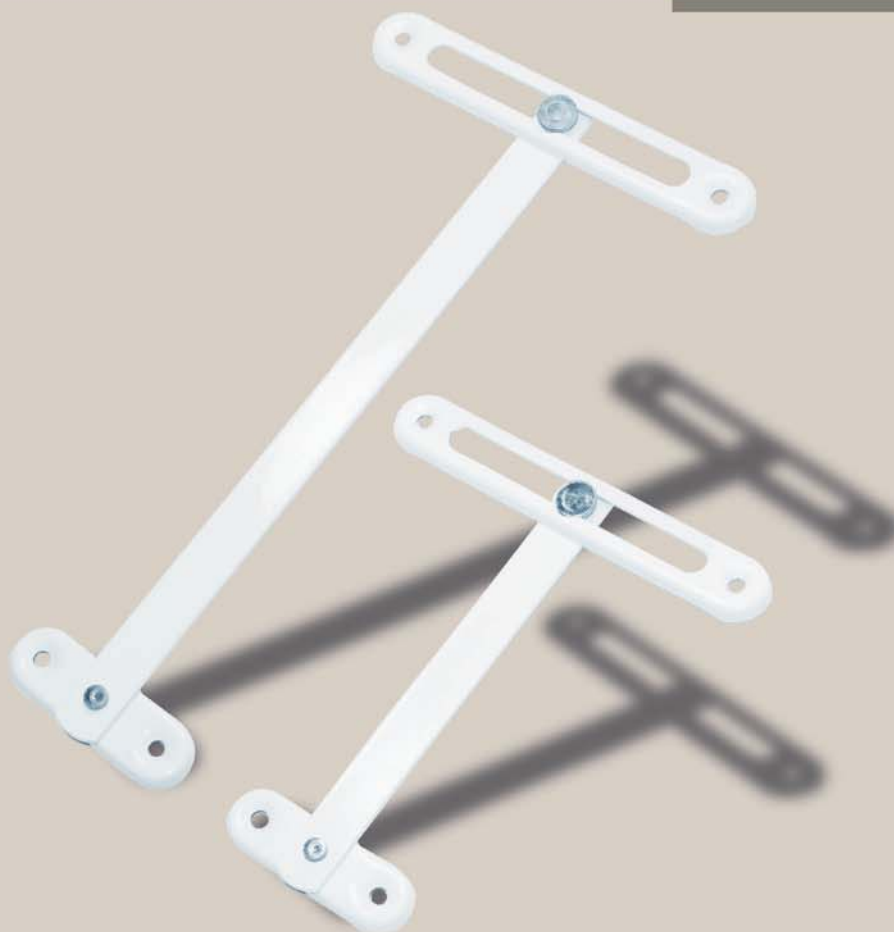
KK009
Locking Plate
Short
Iron Sheet



KK011
Locking Plate
Universal Adjustable
Long / Iron Sheet
Plastic Body



KK012
Locking Plate
Universal Adjustable
Long / Zinc
Plastic Body



V005
Transom Scissors 13cm
Iron Sheet



V006
Transom Scissors 22cm
Iron Sheet



V003
Transom Locked
Aluminium



PS008
Adjustable Transom Locked
Plastic



PLS021
Transom Locked
Plastic



V007
Transom Scissors
Steel



V008
Folding Transom Scissors 13cm
Steel



V004
Balcony Door Fastener



V009
Balcony Door Fastener
Plastic Body
9 Axis



V010
Balcony Door Fastener
Plastic Body
13 Axis

SLIDING ACCESSORIES



SA001
Sliding Roller
Big
Polyamide



SA008
Sliding Roller
Big
Brass



SA003 Pimaş
Sliding Roller



SA038 Egepen
Sliding Roller
Double Wheels Polyamide
Polyamide



SA006
Sliding Roller
Small Single Wheel Brass

SLIDING ACCESSORIES



SA002
Sliding Roller
Double Wheels Polyamide
Iron Sheet



SA019
Sliding Roller
Double Wheels
Iron Sheet



SA028
Sliding Roller
Double Wheels Brass Import
Iron Sheet



SA017
Sliding Roller
Single Wheels Polyamide
Iron Sheet



SA018
Sliding Roller
Double Wheels
Iron Sheet



SA029
Sliding Roller
Single Wheels Brass Import
Iron Sheet



SA026
Sliding Roller
Adjustable Double Wheels



SA034
Sliding Roller
Adjustable Single Wheels



SA037
Double Door Sliding
Left-Right
Iron Sheet



SA039
Double Window Sliding
Up - Down
Plastic Body



SA009
Double Door Sliding
Up - Down
Iron Sheet



SA010
Double Window Sliding
Up - Down
Iron Sheet



SA011
Double Window Sliding
Left-Right
Zinc



SA012
Double Door Sliding
Left-Right
Steel



SA015
Sliding Handle C Type
Aluminium



SA023
Sliding Handle D Type
Aluminium



SA024
Sliding Handle
(POOL) Inlaid Small
Aluminium



SA025
Sliding Handle
(POOL) Inlaid Big
Aluminium

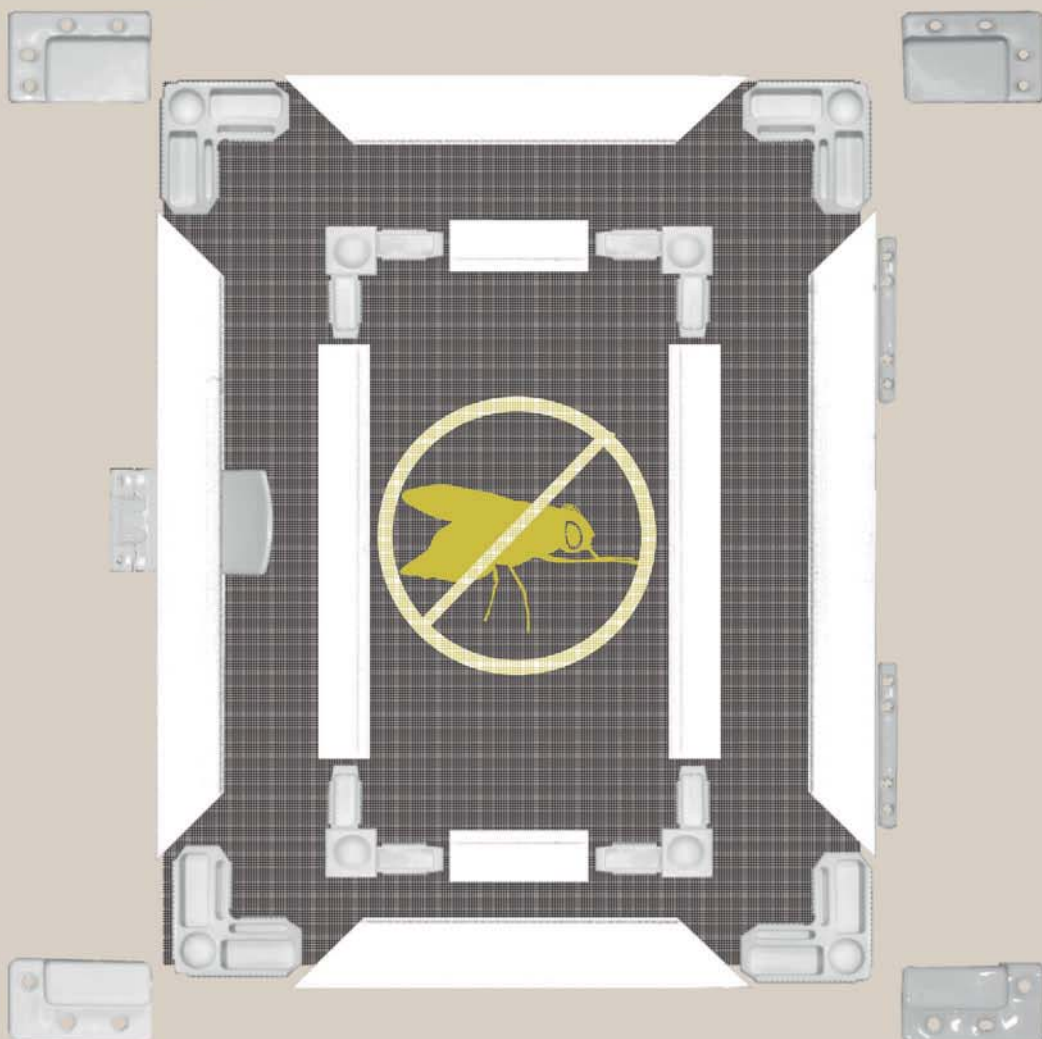


SA016
Sliding Hidden Handle
Zinc



SA030
Sliding Hidden Handle
Aluminium

FLYSCREEN GROUP



ASG001



ASG002



ASG003



ASG004



ASG005



ASG006



ASG007



ASG008



ASG024



ASG029



ASG030



ASG031

SCREW GROUP



3,9 x 13	4,2 x 13	4,8 x 32
3,9 x 16	4,2 x 16	4,8 x 38
3,9 x 19	4,2 x 19	4,8 x 45
3,9 x 22	4,2 x 22	4,8 x 50
3,9 x 25	4,2 x 25	4,8 x 60
3,9 x 32	4,2 x 32	4,8 x 70
3,9 x 38	4,2 x 38	4,8 x 80
	4,2 x 45	

AKV001
YHB Self Drill Screws



6 x 60
6 x 80
6 x 100

AKV006
YSB Rare Thread



3,9 x 16	4,2 x 13	4,8 x 16
3,9 x 19	4,2 x 16	4,8 x 19
3,9 x 22	4,2 x 19	4,8 x 32
3,9 x 25	4,2 x 22	4,8 x 38
3,9 x 32	4,2 x 25	4,8 x 45
3,9 x 38	4,2 x 32	4,8 x 50
	4,2 x 38	4,8 x 60
	4,2 x 45	4,8 x 70
		4,8 x 80

AKV002
YSB Self Drill Screws



6 x 60

AKV007
YSB Metric Thread



3,9 x 16	4,2 x 13	4,8 x 32
3,9 x 22	4,2 x 38	4,8 x 38
3,9 x 25	4,2 x 45	4,8 x 45
3,9 x 32		
3,9 x 38		

AKV003
Espagnolette Screws
YHB Rare Thread



10 x 80
10 x 100
10 x 120
10 x 132

CD002 - CD003 - CD004 - CD005
Steel Anchor



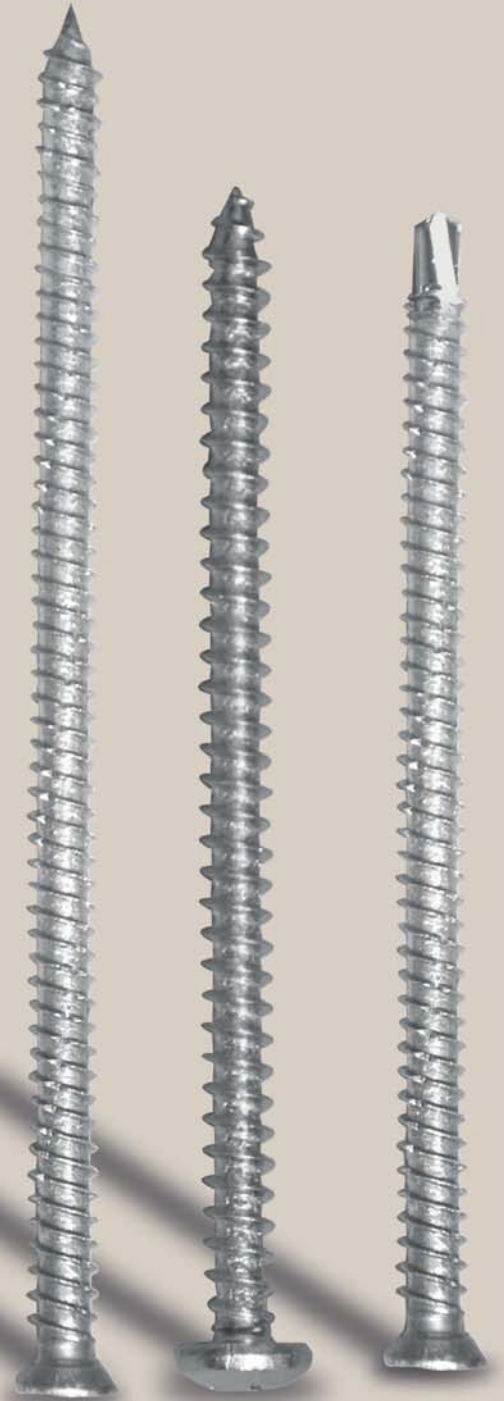
7,5 x 60
7,5 x 80
7,5 x 100
7,5 x 120
7,5 x 150
7,5 x 160
7,5 x 180

AKV004
Montage Screw Buldex



6 x 60
6 x 80
6 x 100

AKV005
YHB Rare Thread



INSULATING GLASS GROUP



IZO01



IZO02



IZO03



CM01
Thiokol (A)-(B)



PS.010
Thin Glass Wedge



PS.013
Middle Glass Wedge



PS.015
Thick Glass Wedge



CM04



CM03



CM02



USS Nippers

OTHER ACCESSORIES



25 x 45	45 x 65
27 x 32	50 x 50
30 x 40	50 x 60
35 x 35	53 x 55
35 x 45	55 x 55
35 x 55	55 x 65
40 x 40	60 x 60
40 x 50	65 x 45
45 x 45	65 x 65
45 x 55	

AIRVENT



Type 02
24mm



Type 02
18mm steel



PS.018
Plastic Wall Plug
With Claws 8mm



PS.016
Montage Plug 12mm



PS.011
Water Dashboard Plug



PS.012
Buldex Screw Plug



PS.017
Sash Lift Wedge



RT001
Retouch Marker

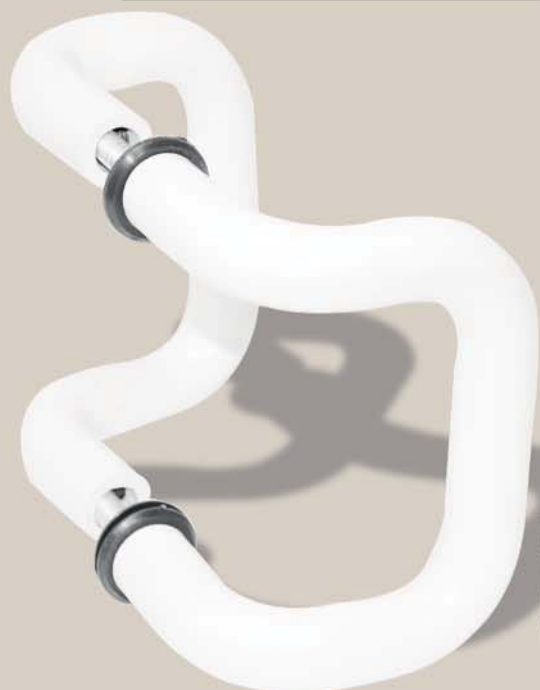


TF001
Teflon Sticky



TF002
Teflon Not Sticky

ALUMINIUM GROUP



Code	∅	A
FRK100	25	200
FRK101	25	300
FRK102	25	400
FRK104	30	300
FRK105	30	400

Code	∅	A
FRK200	25	200
FRK201	25	300
FRK203	30	300

Code	∅	A
FRK300	25	200
FRK301	30	200



FRK100



FRK200



FRK300



FRK402



FRK403



FRK412



FRK400



FRK401



FRK404



FRK405



FRK406



FRK407



FRK408



FRK409



FRK410

ALUMINIUM GROUP



FRK411



FRK500



FRK501



FRK502



FRK503



FRK600 / FRK601



FRK602



FRK603



FRK704



FRK705



FRK700



FRK701



FRK702



FRK708



FRK706



FRK800



FRK801



FRK802



FRK803



FRK900



FRK904



FRK901



FRK905



FRK902



FRK903

EXCLUSIVE
COLORS

BRONZE

SILVER

GOLD

